

# TEAC

## SERVICE MANUAL

# CD-P1250

## COMPACT DISC PLAYER



### CONTENTS

1 SPECIFICATIONS .....	2
2 EXPLODED VIEWS AND PARTS LIST .....	3
3 PC BOARDS AND PARTS LIST .....	7
4 INCLUDED ACCESSORIES .....	11

### NOTES

- PC boards shown are viewed from parts side.
- The parts with no reference number or no parts number in the exploded views are not supplied.
- As regards the resistors and capacitors, refer to the circuit diagrams contained in this manual.
- $\triangle$  Parts marked with this sign are safety critical components. They must be replaced with identical components - refer to the appropriate parts list and ensure exact replacement.
- Parts of [ ] mark can be used only with the version designated.  
[US]:U. S. A. [C]:CANADA [E]:EUROPE [UK]:U. K.

# 1 SPECIFICATIONS

## CD PLAYER

### Pickup:

3-beam, semiconductor laser

### D/A Converter:

1 bit DAC

### Digital filter:

8-times oversampling

### Frequency Response:

20 Hz ~ 20 kHz  $\pm$ 1.5dB

### Total Harmonic Distortion:

< 0.09 % (1 kHz)

### Signal-to-Noise Ratio (S/N):

>85 dB (1 kHz)

### Channel Separation:

>80 dB (1 kHz)

### Output:

Analog; 2.0 Vrms (RCA)

### Wow and Flutter:

Below measurable limit

## GENERAL

### Power Requirements:

120 V AC, 60Hz (U.S.A./Canada Model)

230 V AC, 50Hz (Europe/U.K. Model)

### Power Consumption:

12 Watts (AC)

### Dimensions (W x H x D):

435 x 104 x 295mm

### Net Weight:

3.6 kg

### Standard Accessories:

Wireless Remote Control Unit (RC-853)

RCA pin-plug cord

Battery (SUM-3, "AA", "R6" type) x 2 (Europe/U.K. Model)

- Design and specifications are subject to change without notice.

## SAFETY INFORMATION

This product has been designed and manufactured according to FDA regulations "title 21, CFR, chapter 1, subchapter J, based on the Radiation Control for Health and Safety Act of 1968", and is classified as a class 1 laser product. There is no hazardous invisible laser radiation during operation because invisible laser radiation emitted inside of this product is completely confined in the protective housings.

The label required in this regulation is shown ①.

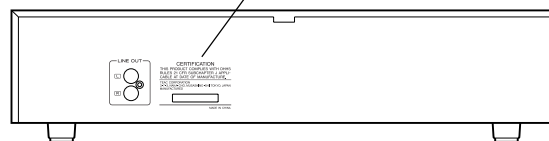
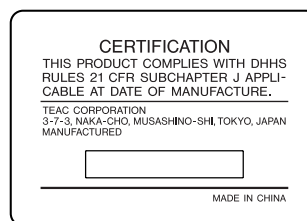
### ● CAUTION

USE OF CONTROLS OR ADJUSTMENT OR PERFORMANCE OF PROCEDURES OTHER THAN THOSE SPECIFIED HEREIN MAY RESULT IN HAZARDOUS RADIATION EXPOSURE.

### Optical pickup:

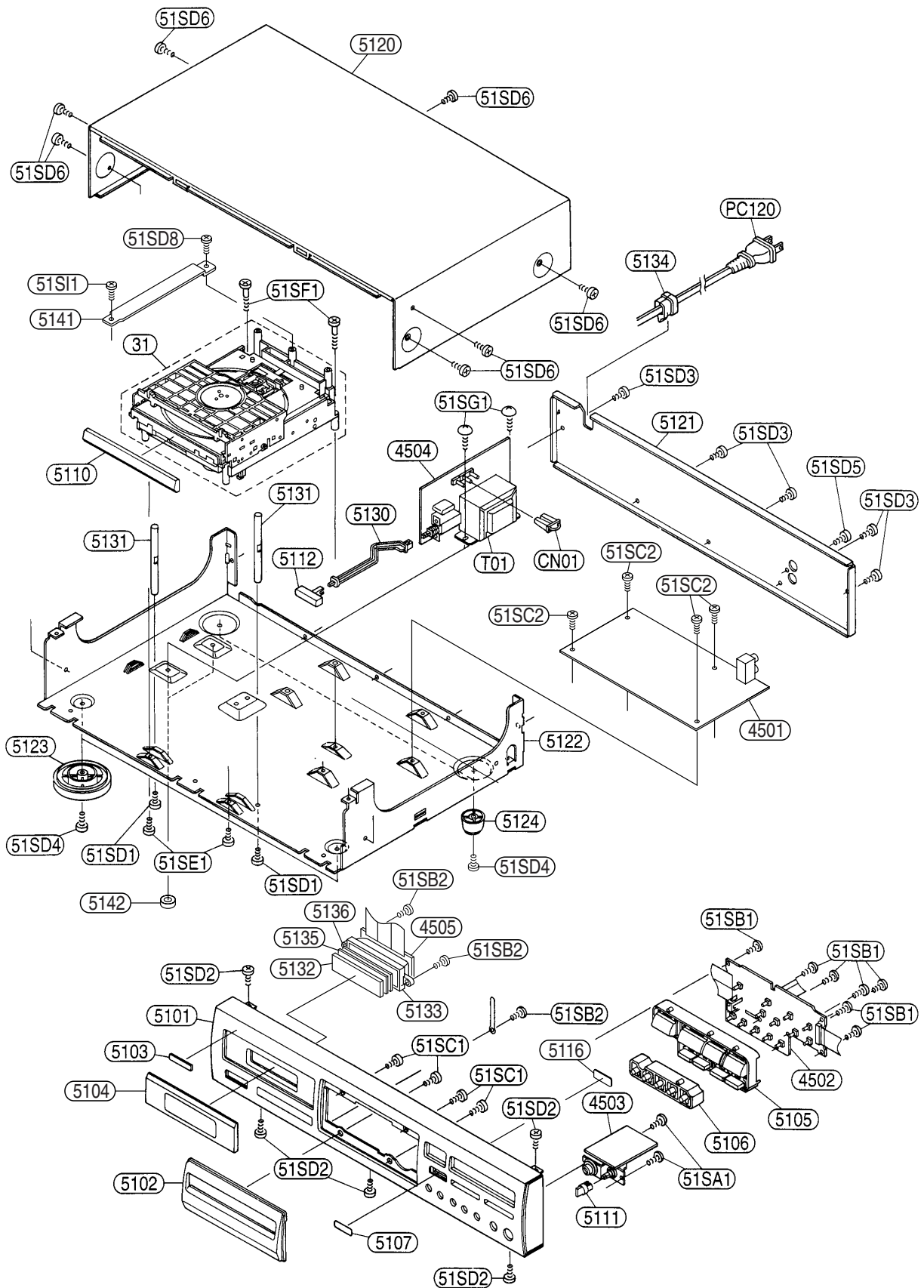
TYPE : SFP101NXR  
MANUFACTURER : Sanyo Electric Co., Ltd.  
LASER OUTPUT : Continuous Wave max. 5mW  
WAVE LENGTH : 765-815nm

① For U.S.A.



# 2 EXPLODED VIEWS AND PARTS LIST

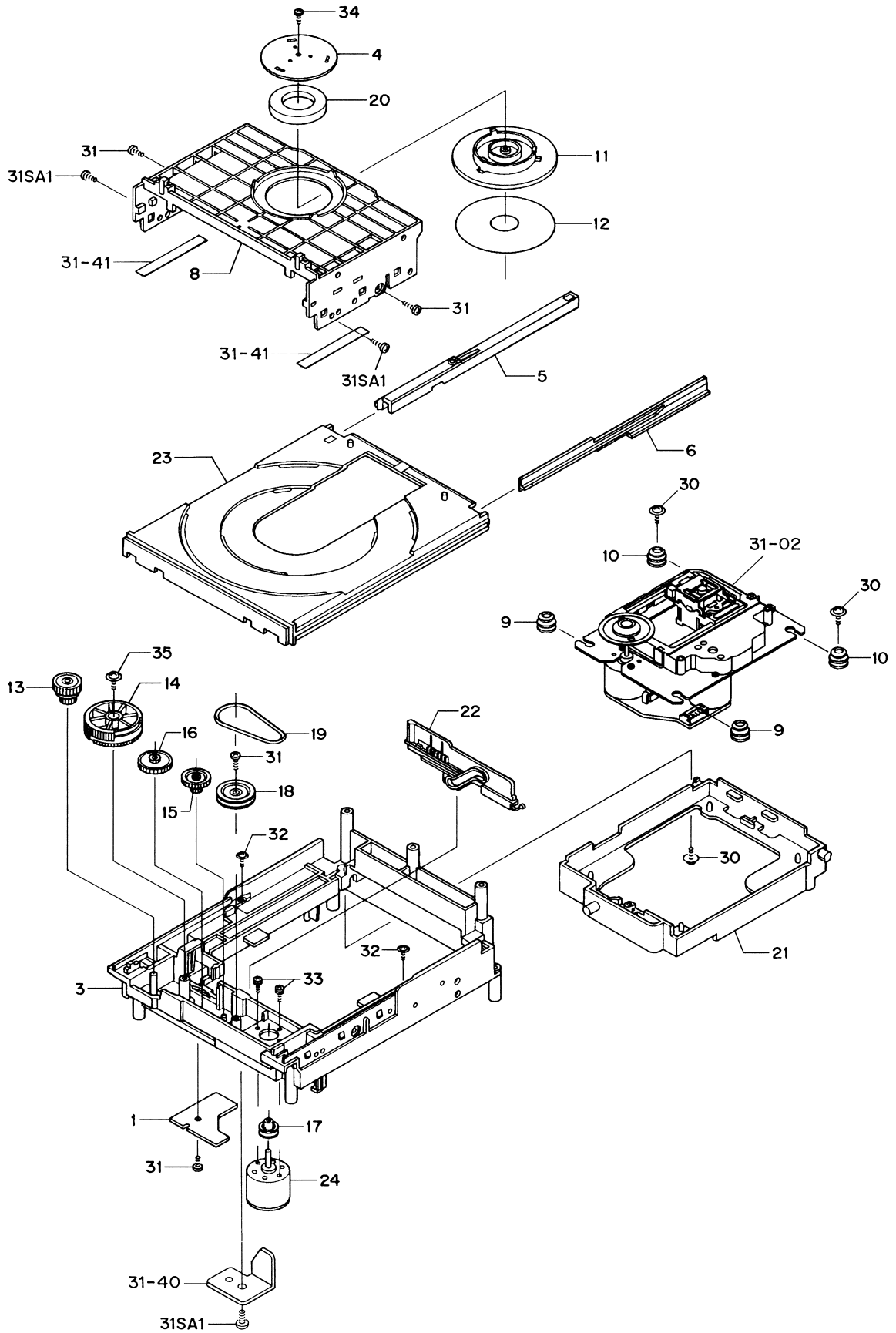
## EXPLODED VIEW-1



## EXPLODED VIEW-1

REF. NO.	PARTS NO.	DESCRIPTION	REMARKS
31	9A09092400	MECHA, CD93F8NDT	CEC0991004800
4501	9A09265600	MAIN PCB ASSY	CEC0B10033200
4502	9A09265800	KEY PCB ASSY	CEC0B10033310
4503	9A07148500	H. P PCB ASSY [US, C]	CEC0B10027400
	9A07148510	H. P PCB ASSY [E, UK]	CEC0B10027401
4504	9A09266000	POWER PCB ASSY [US, C]	01-P12500003-00
	9A07148610	POWER PCB ASSY [E]	CEC0B10028540
	9A07148630	POWER PCB ASSY [UK]	CEC0B10028541
4505	9A09266100	DISPLAY PCB ASSY	01-P12500004-00
5101	9A09266200	ESCUTCHEON [US, C]	CEC2141003313
	9A07148800	ESCUTCHEON [E, UK]	CEC2141003310
5102	9A07148900	PANEL, TRAY	CEC2155000710
5103	9A08667500	BADGE	CEC2163004000
5104	9A07149100	WINDOW	CEC2164006110
5105	9A07149000	BUTTON, PLAY	CEC2175011810
5106	9A07077900	BUTTON, FUNCTION	CEC2175011900
5107	9A07079200	FILTER, IR	CEC2431001200
5110	9A07149200	DECORATION, TRAY	CEC2144003910
5111	9A07077700	KNOB, ROTARY	CEC2171001800
5112	9A07077800	KNOB, PUSH	CEC2174005200
5116	9A07079800	SHEET, IR	CEC2462011300
5120	9A07077000	COVER, TOP	CEC2121003900
5121	9A09266300	PANEL, REAR [US, C]	CEC2153002350
	9A09272400	PANEL, REAR [E, UK]	CEC2153002351
5122	9A07078400	CHASSIS	CEC2311006900
5123	9A06842900	ASSY, LEG	CEC0251001700
5124	9A07078300	LEG	CEC2251003500
5130	9A07078800	JOINT	CEC2351001900
5131	9A07078900	POST	CEC2373001100
5132	9A07989100	LCD, IS06193P00V2	CEC4T40000500
5133	9A07149500	HOLDER, LAMP	CEC2451001300
5134	△ 9A06846200	BUSHING, NIFCO 2271	CEC2446000200
5135	9A07989900	FILTER, LCD, BLUE	CEC2431001301
5136	9A07990000	FILTER, LCD, WHITE	CEC2431001302
5141	9A07078700	BRACKET-M, TOP	CEC2322001800
5142	9A07274200	FELT, PL	CEC2571002200
CN01	9A09195600	HOUSING, 2P	43-791002031-00
PC120	△ 9A08660100	POWER CORD [US, C]	CEC4W10006400
	△ 9A07087801	POWER CORD [E]	45-112230118-06
	△ 9A07258200	POWER CORD [UK]	CEC4W10004700
T01	△ 9A07154000	POWER TRANSFORMER	CEC4L50005930
51SA1	9A06855600	SCREW, S-TPG B1N 2.6X6	SFBDN266R0SE-
51SB1	9A00768400	SCREW, S-TPG BRZ M2.6X8	SFBAN268R0SE-
51SB2	9A00768400	SCREW, S-TPG BRZ M2.6X8	SFBAN268R0SE-
51SC1	9A01589800	SCREW, S-TPG B1N M3X6	SFBDN306R0SE-
51SC2	9A01589800	SCREW, S-TPG B1N M3X6	SFBDN306R0SE-
51SD1	9A01041200	SCREW, S-TPG B1N M3X8	SFBDN308R0SM-
51SD2	9A01041200	SCREW, S-TPG B1N M3X8	SFBDN308R0SM-
51SD3	9A01041200	SCREW, S-TPG B1N M3X8	SFBDN308R0SM-
51SD4	9A01041200	SCREW, S-TPG B1N M3X8	SFBDN308R0SM-
51SD5	9A01041200	SCREW, S-TPG B1N M3X8	SFBDN308R0SM-
51SD6	9A01041200	SCREW, S-TPG B1N M3X8	SFBDN308R0SM-
51SD8	9A01041200	SCREW, S-TPG B1N M3X8	SFBDN308R0SM-
51SE1	9A07086400	SCREW, S-TPG B1N 3X14	SFBDN30140SE-
51SF1	9A07086500	SCREW, S-TPG B1N 3X25	SFBDN30250SE-
51SG1	9A06856000	SCREW, S-TPG TR S4X6	SFSTN406R0SE-
51S11	9A06855700	SCREW, S-TPG B1N 3X4	SFBDN304R0SE-

# EXPLODED VIEW-2

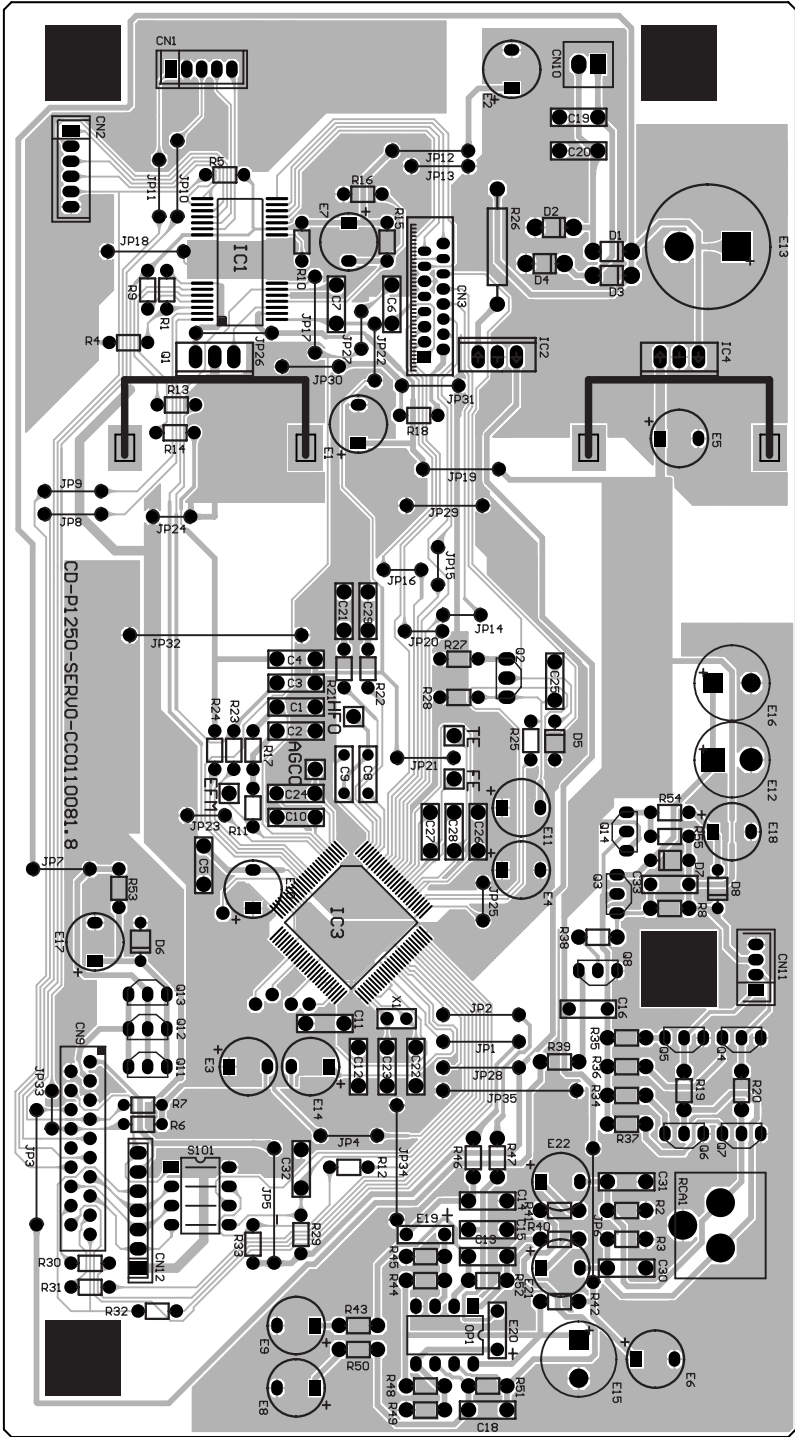


**EXPLODED VIEW-2 (CD93F8NDT)**

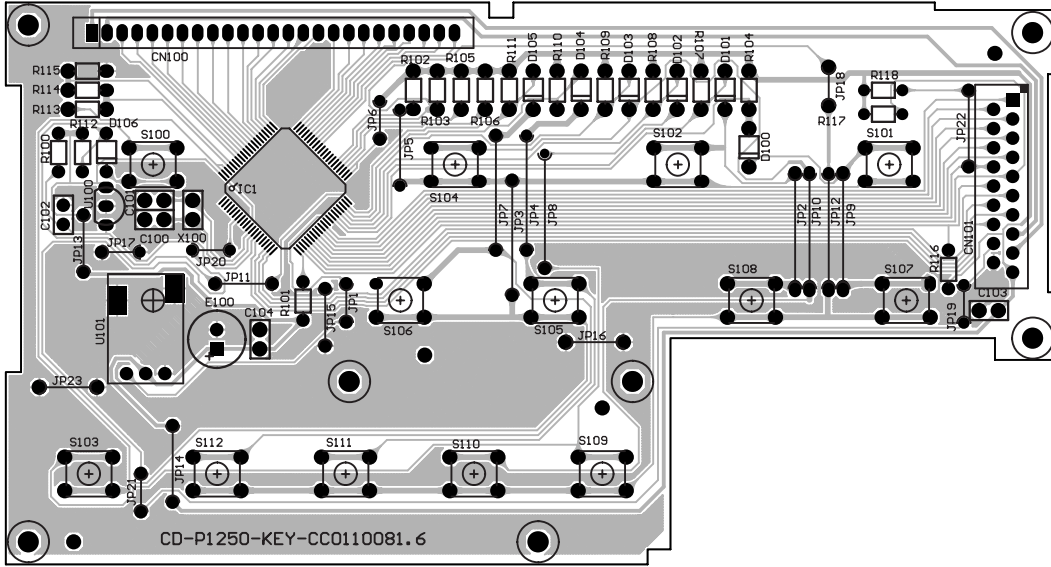
REF. NO.	PARTS NO.	DESCRIPTION	REMARKS
1	9A07071300	SWITCH PCB ASSY	1EA0B10A98100
3	9A07072300	CHASSIS, FRAME	1EA2311A06600
4	9A07071400	PLATE, MAGNET	1EA2336A05300
5	9A07071500	LEFT RAIL ASSY	1EA0363A00100
6	9A07071600	RAIL, RIGHT	1EA2363A00300
8	9A07071800	SUPPORT, MAGNET	1EA2413A01700
9	9A08438700	CUSHION, RUBBER	CEC2443000100
10	9A08438800	CUSHION, RUBBER	CEC2443000101
11	9A07072100	HOLDER, MAGNET	1EA2451A09000
12	9A07072200	SHEET	1EA2462A13200
13	9A07072400	GEAR, LOADING	1EA2511A10900
14	9A07072500	GEAR, LIFTER	1EA2511A11000
15	9A07072600	GEAR, IDLER, A	1EA2511A11100
16	9A07072700	GEAR, IDLER, B	1EA2511A11200
17	9A07072800	PULLEY, MOTOR	1EA2523A01700
18	9A07072900	PULLEY, GEAR	1EA2524A01600
19	9A07073000	BELT, SQUARE	1EA2563A02200
20	9A02677600	MAGNET, DISC CLAMP	1EA2641A01300
21	9A08438600	LIFTER, MECHA	CEC2713000700
22	9A07073200	SLIDE, LIFTER	1EA2741A01300
23	9A07073300	TABLE, LOADING	1EA2761A00700
24	9A03303300	MOTOR, 3.0V	1EA4M10A02100
30	5760707700	SCREW, B-TITE SEMS M3X10	13124201283000
31	9A07073500	SCREW, S-TPG BIN 2.6X8	SFBDN268R0SE-
31-02	9A09093000	MECH ASSY, DA11T3CN	13933102
31-40	9A07070800	BRACKET	CEC2322001300
31-41	9A07070900	SHEET, MECHA	CEC2462011200
31SA1	9A07071100	SCREW, S-TPG BIN 3X8	SFBDN308R0SE-
32	9A07073600	SCREW, S-TPG PAN+FLG 2X6	SFBPY206R0SE-
33	9A07073700	SCREW, PAN+SW 1.7X3.5	SM2PS173R5SE-
34	9A07073800	SCREW, SPECIAL	SGXEA00201---
35	9A07071100	SCREW, S-TPG BIN 3X8	SFBDN308R0SE-
	9A08632700	WIRE, JUMPER, 16P	CEC4W30009700

# 3 PC BOARDS AND PARTS LIST

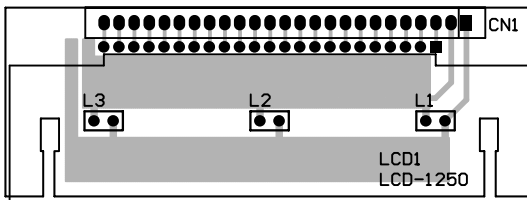
## MAIN PCB



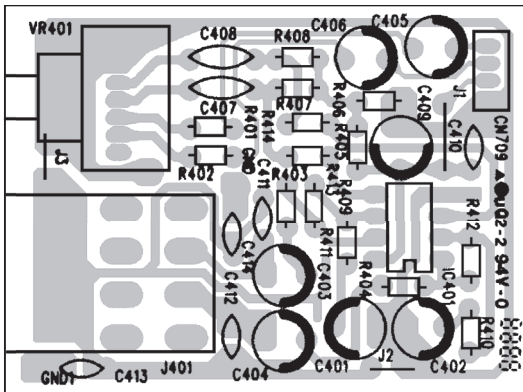
### KEY PCB



### DISPLAY PCB

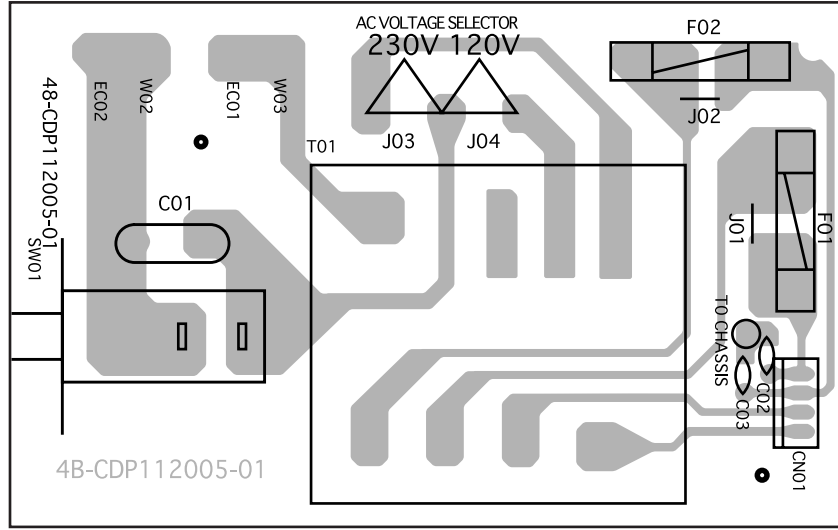


### HP PCB

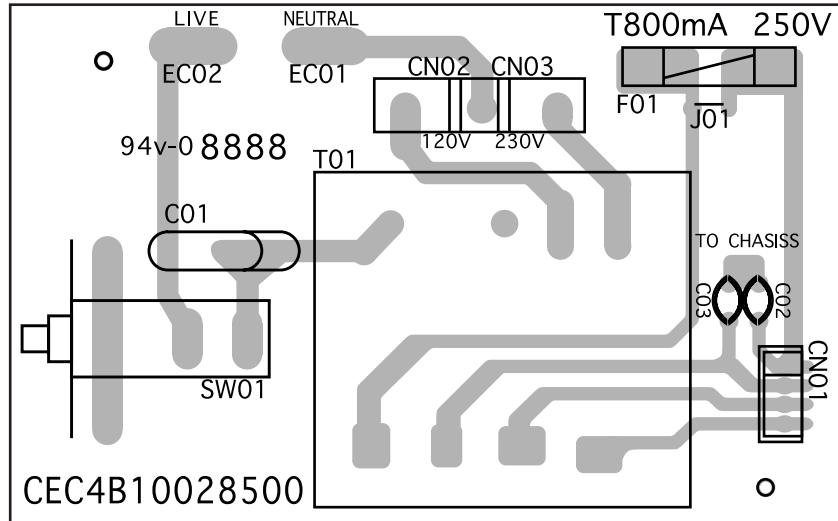




**POWER PCB (U.S.A.)**



**POWER PCB (Europe)**



## MAIN PCB ASSY

REF. NO.	PARTS NO.	DESCRIPTION
	9A09265600	MAIN PCB ASSY
	9A09265700	MAIN PCB
	9A07152600	HEAT SINK
	9A09271100	SCREW, MACHINE M3X8
	9A09271200	NUT, M3
CN01	9A09270400	WAFER, 5P
CN02	9A09218500	WAFER, 6P
CN03	9A09270500	WAFER, 16P (FFC)
CN09	9A09271000	PLUG, 19P
CN10	9A09270600	WAFER, 2P
CN11	9A09218400	WAFER, 4P
D01-D04	△ 9A09267000	DIODE, 1A3-1
D05	9A09267100	DIODE, 1SS133-T-77
D06	9A09267200	DIODE, ZENER
D07	9A09267000	DIODE, 1A3-1
D08	9A09267300	DIODE, BAT46
E13	△ 9A09270100	C, ELECT 4700UF 25V M
IC01	9A09188600	IC, BA5813FM
IC02	△ 9A09188800	IC, KA7805
IC03	9A09270700	IC, UPD63711AGC-8EU
IC04	△ 9A09188900	IC, KA7808
JK501	9A09270900	RCA JACK, 2P
OP1	9A09189500	IC, NJM4558D
Q01	9A09266700	TR, 2SB1375
Q02, Q03	9A09207100	TR, 2SA933AS-TP
Q04-Q07	9A09266800	TR, 2SC2240BL
Q08	9A09266900	TR, 2SD1936T-AC
Q11-Q13	△ 9A09266800	TR, 2SC2240BL
Q14	9A09207100	TR, 2SA933AS-TP
R26	△ 9A09268200	R, FUSIBLE 1/4W 10 JA
X01	9A09270800	CRYSTAL, 16.9344MHZ 50PPM

## KEY PCB ASSY

REF. NO.	PARTS NO.	DESCRIPTION
	9A09265800	KEY PCB ASSY
	9A09271300	KEY PCB
CN101	9A09271900	PLUG, 19P
D100-D106	9A09208100	DIODE, 1SS133T77
IC01	9A09271500	IC, UPD789406AGC
S100-S112	9A08467800	SWITCH, TACT, SKHHANA010
U100	9A09271400	IC, PST600D
U101	9A06847600	IC, GP1U281X
X100	9A09271800	CRYSTAL, 5.000MHZ AT-39

## DISPLAY PCB ASSY

REF. NO.	PARTS NO.	DESCRIPTION
	9A09266100	DISPLAY PCB ASSY
	9A07154200	DISPLAY PCB
	9A07149500	HOLDER, LAMP
	9A07989100	LCD, IS06193P00V2
	9A07989900	FILTER, LCD, BLUE
	9A07990000	FILTER, LCD, WHITE
	9A09272300	LAMP, PILOT C-2V

## H.P. PCB ASSY

REF. NO.	PARTS NO.	DESCRIPTION
	9A07148500	H.P PCB ASSY [US, C]
	9A07148510	H.P PCB ASSY [E, UK]
	9A07153200	H.P PCB
	9A09274500	NUT, M9X0.75
	9A09274600	WASHER, 9.2X14X0.4
	9A07078500	BRACKET-E, JACK
IC401	9A07153300	IC, M5218AP
J401	9A07081200	JACK, H.P.
VR401	9A07082700	VR, ROTARY 50K

## POWER PCB ASSY

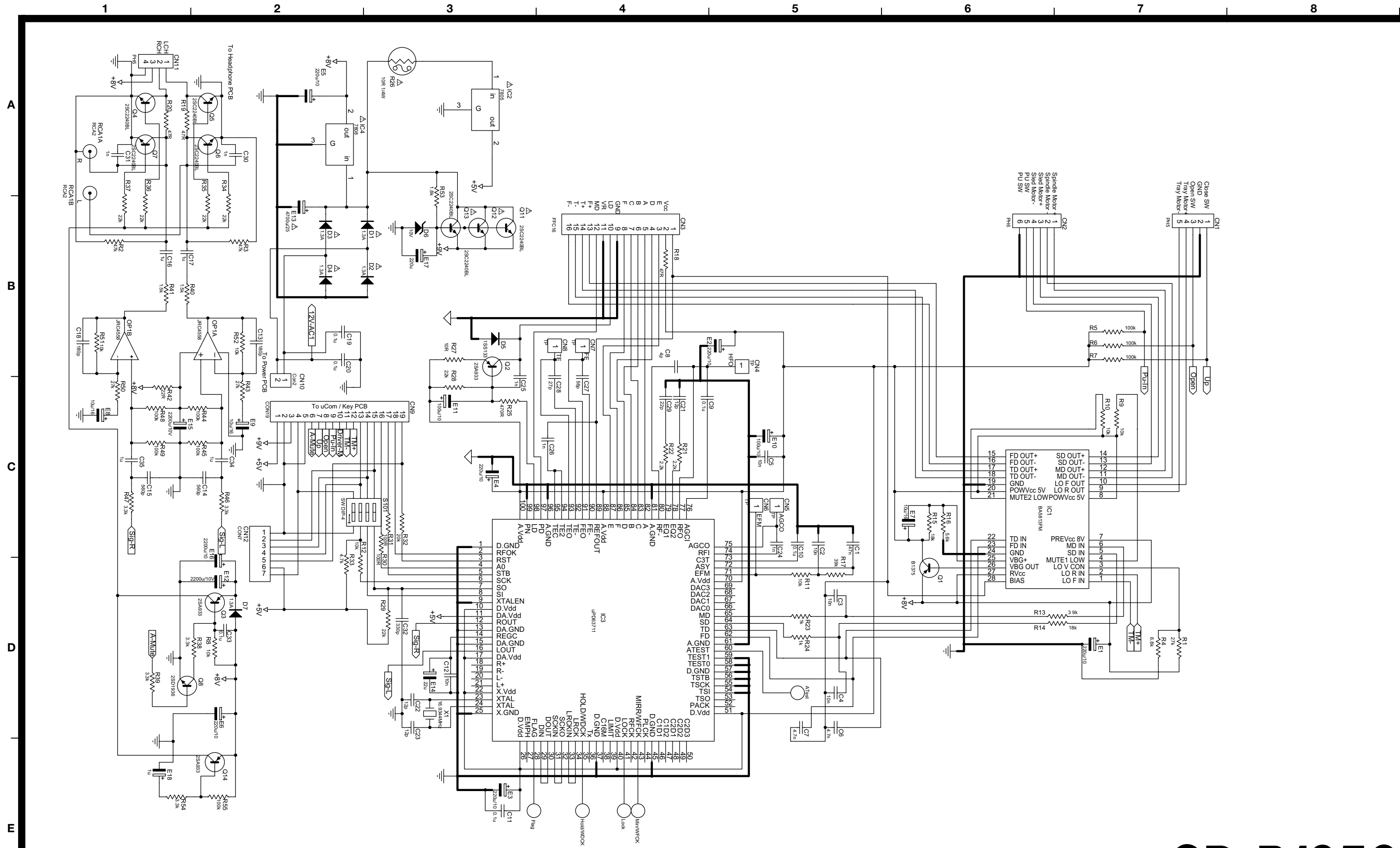
REF. NO.	PARTS NO.	DESCRIPTION
	9A09266000	POWER PCB ASSY [US, C]
	9A07148610	POWER PCB ASSY [E]
	9A07148630	POWER PCB ASSY [UK]
	9A09272000	POWER PCB [US, C]
	9A07155300	POWER PCB [E, UK]
	9A09195600	HOUSING, 2P
	9A07081100	PLUG, ROUND PIN
	△ 9A08660100	POWER CORD [US, C]
	△ 9A07087801	POWER CORD [E]
	△ 9A07258200	POWER CORD [UK]
	9A09345000	DIODE, 6KE27CA [E, UK]
	9A09345100	FERRITE CORE, 25X15X13 [E, UK]
C01	△ 9A07080700	CAPACITOR
EC01, EC02	5760663000	EC TERMINAL, 1P
F01	9A07088000	FUSE HOLDER [E, UK]
F01	△ 9A09251800	FUSE, 250V 1A [E, UK]
SW01	△ 9A06849100	SWITCH, PUSH, POWER
T01	△ 9A07154000	POWER TRANSFORMER

## 4 INCLUDED ACCESSORIES

### INCLUDED ACCESSORIES

REF. NO.	PARTS NO.	DESCRIPTION	REMARKS
	9A09051700	OWNER'S MNL, E/F [US, C]	CEC6P10069930
	9A09051800	OWNER'S MNL, MULTI [E, UK]	CEC6P10069940
	9A09266500	REMOTE CONTROL UNIT	CEC4U10002620
	9A07089700	BATTERY [E, UK]	CEC4D10000700
	9A06849900	PLUG, CORD, RCA	CEC4W20004000

# TEAC SCHEMATIC DIAGRAM CD-P1250 MAIN PCB



- NOTES:**
1. Resistor values are in ohms (k=kilo-ohms, M=megohms).
  2. Capacitor values are in microfarads (p=picofarads).
  3.  $\Delta$  Parts marked with this sign are safety critical components. They must always be replaced with identical components-refer to the appropriate parts list and ensure exact replacement.

# CD-P1250

## COMPACT DISC PLAYER

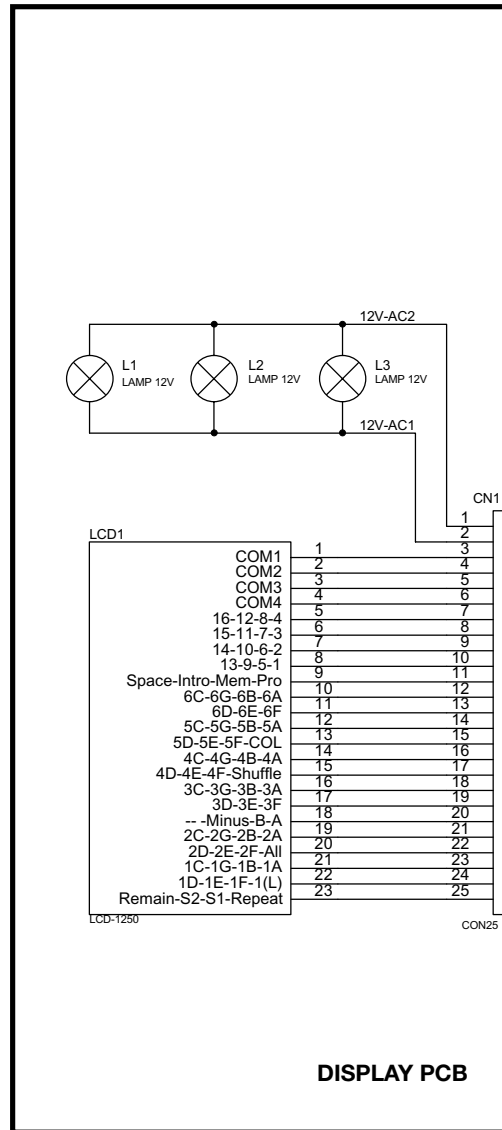
# TEAC SCHEMATIC DIAGRAM CD-P1250 DISPLAY PCB, KEY PCB, HP PCB, POWER PCB

1 2 3 4 5 6 7 8

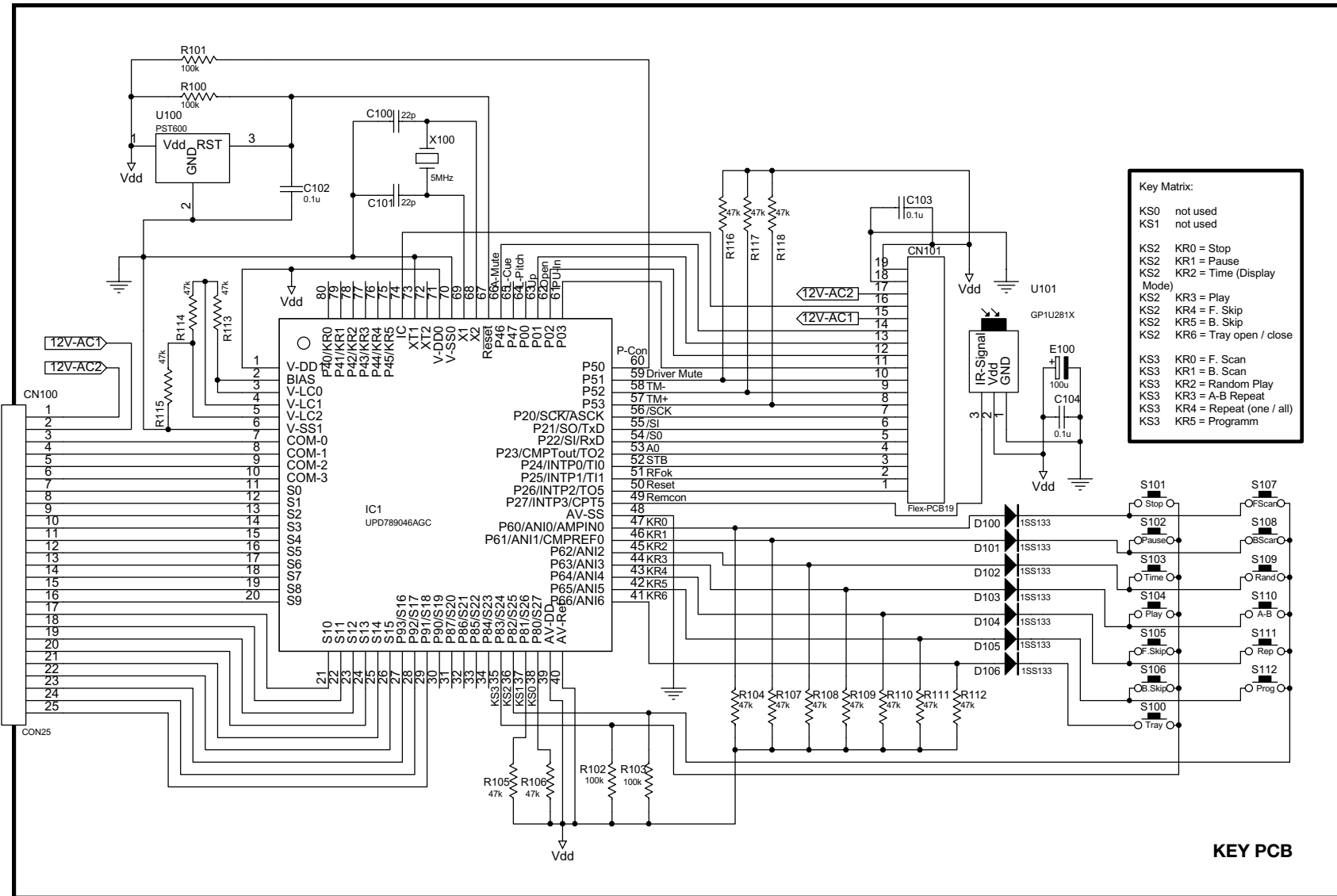
A

B

C



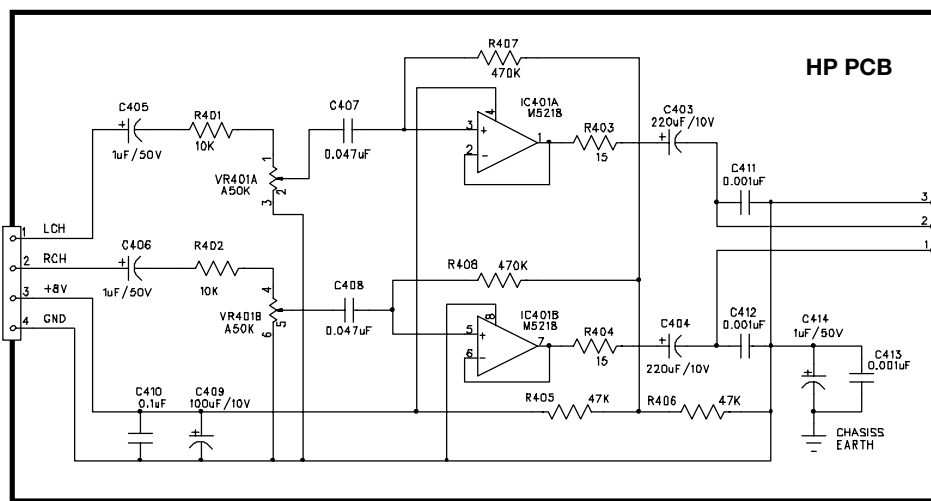
DISPLAY PCB



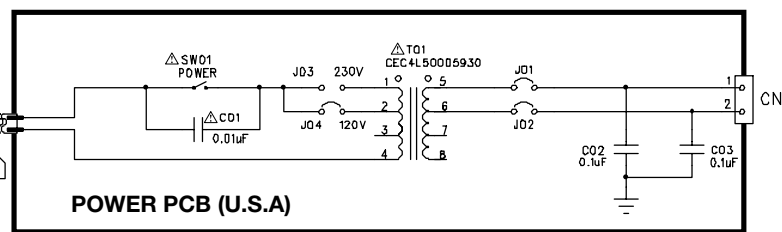
KEY PCB

D

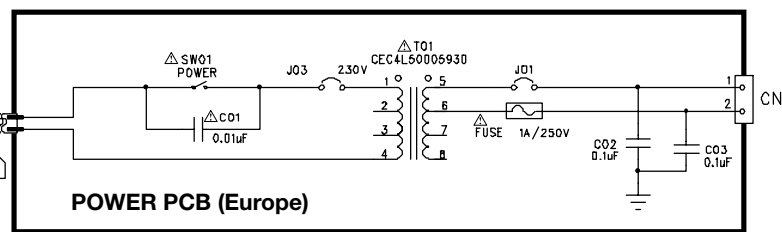
E



HP PCB



POWER PCB (U.S.A.)



POWER PCB (Europe)

**INSTRUCTIONS FOR SERVICE PERSONNEL**  
**BEFORE RETURNING APPLIANCE TO THE CUSTOMER, MAKE LEAKAGE-CURRENT OR RESISTANCE MEASUREMENTS TO DETERMINE THAT EXPOSED PARTS ARE ACCEPTABLY INSULATED FROM THE SUPPLY CIRCUIT.**

**NOTES:**  
 1. Resistor values are in ohms (k=kilo-ohms, M=megohms).  
 2. Capacitor values are in microfarads (p=picofarads).  
 3.  $\Delta$  Parts marked with this sign are safety critical components. They must always be replaced with identical components-refer to the appropriate parts list and ensure exact replacement.

# CD-P1250

## COMPACT DISC PLAYER

1 st Issue; April 2002